

## HOW TO UPDATE THE TUNER SOFTWARE ON THE PVS NA

These instructions are for downloading tuner software from [octanefitness.com](http://octanefitness.com) and loading that software onto the PVS for North America (P/N 110455-001).

To access the firmware files, go to:

[www.octanefitness.com/commercial/octane-support/software-updates](http://www.octanefitness.com/commercial/octane-support/software-updates)

### ITEMS NEEDED



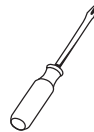
internet connection



computer



new or clean USB  
(SanDisk® USB 8GB flash drive recommended)



#2 Phillips screwdriver

### ABOUT THIS PROCEDURE

#### TIME TO COMPLETE:



≈ 15 minutes

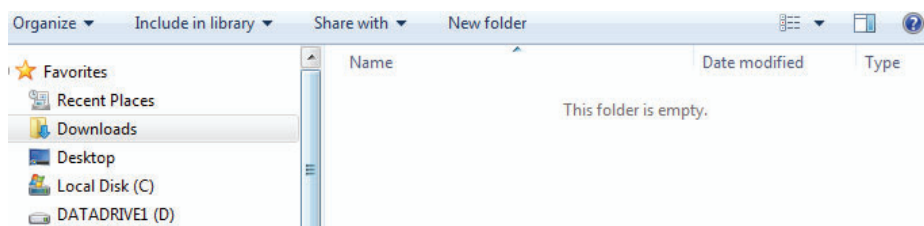
#### LEVEL OF DIFFICULTY:



### STEPS FOR DOWNLOADING TO USB

1. Browse to the downloads folder on your computer and verify the folder is empty.

**It's very important that your downloads folder is completely empty before you download any new software from octanefitness.com.**



2. Insert a new or clean USB flash drive into the USB port on your computer.

**It's very important that your USB flash drive is completely empty.** If you are not using a new USB flash drive, we recommend formatting the USB flash drive to ensure all existing content is erased.

3. Locate the software for the PVS on the Octane Fitness Software Updates page:

[www.octanefitness.com/commercial/octane-support/software-updates](http://www.octanefitness.com/commercial/octane-support/software-updates).

**NOTE:** PVS serial numbers that end in -01 (M####ML####-01) use tuner version 1.32 software.

PVS serial numbers that end in -02 (M####ML####-02) use tuner version 3.32 software.

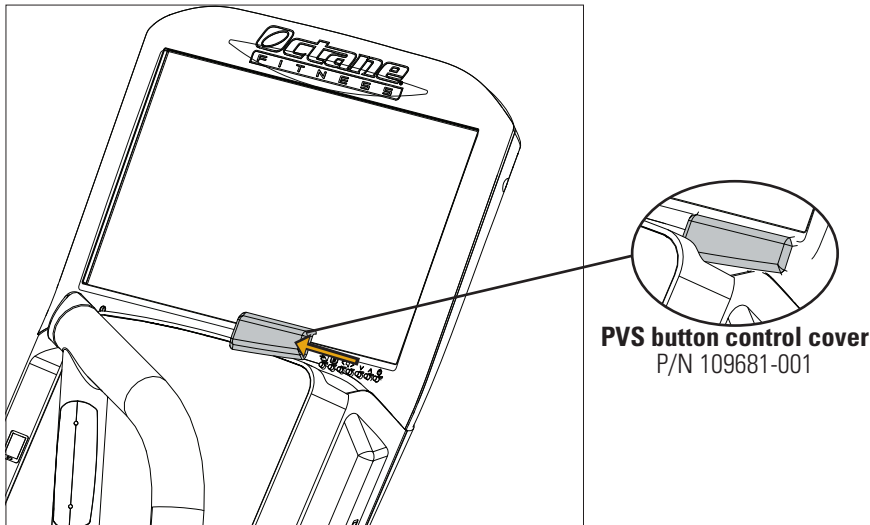
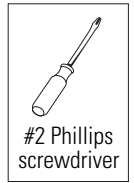
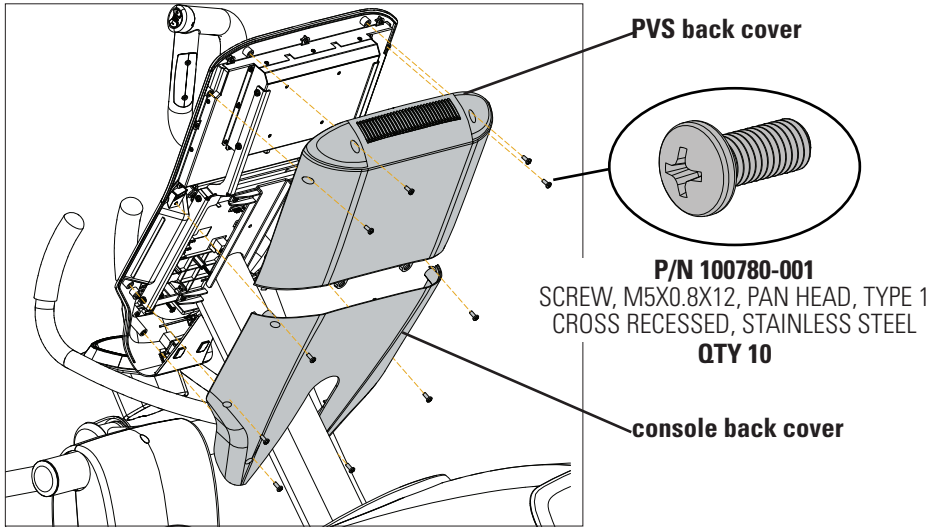
- a. Click the software link to download it your computer.
- b. When the software bin file is done downloading, browse to the downloads folder on your computer.
- c. Copy the **TM022.bin** (tuner version 1.32) or **TM022H.bin** (tuner version 3.32) file from your downloads folder to your USB flash drive.

#### It's very important that you

- **DO NOT modify or rename the file. The file on your USB must be named TM022.bin or TM022H.bin.**
- **DO NOT create any sub folders for the file. The file must be in the root directory of the USB.**
- **DO NOT download the tuner software and PVS software on the same USB. One software file per USB.**
- **Update the PVS software before updating the tuner software.**
- d. When the file has been copied over, safely eject the USB flash drive and remove it from your computer.

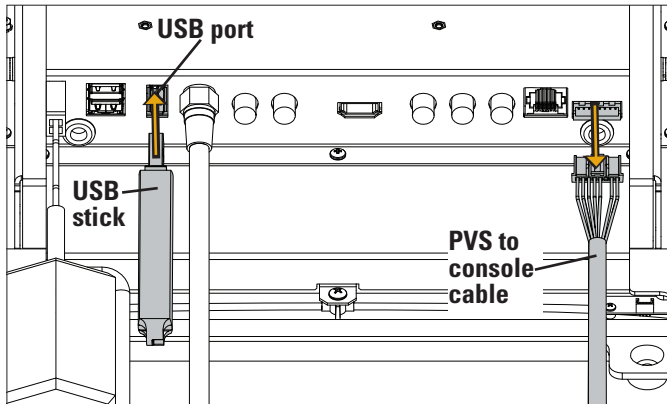
**STEPS FOR UPLOADING TO THE PVS**

1. Remove and set aside console back cover, PVS back cover, and if applicable, PVS button control cover.

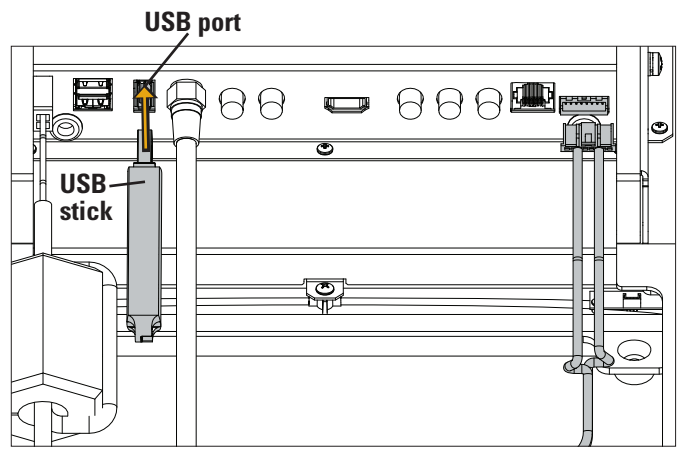
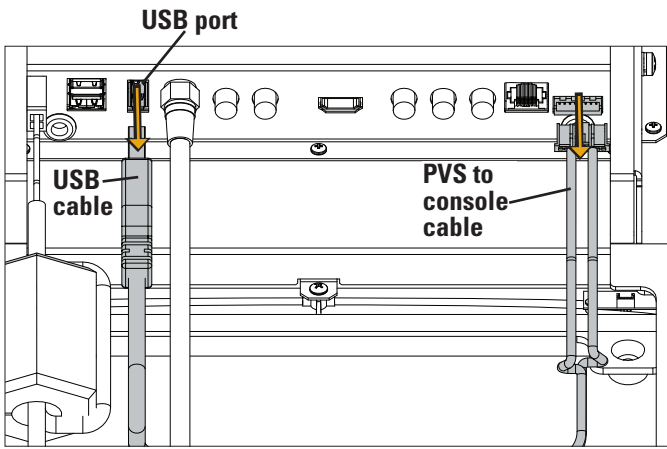


## STEPS FOR UPLOADING TO THE PVS CONTINUED

2. Insert the USB stick into the port on bottom of the PVS and disconnect the PVS to console cable.

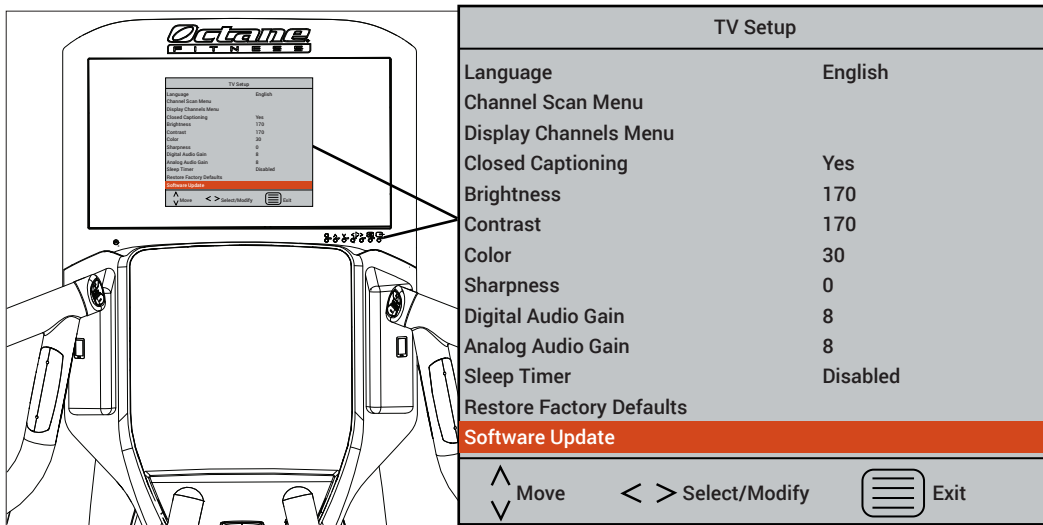


**NOTE:** If your PVS has a USB cable in the USB port, disconnect the USB cable and then insert the USB stick.



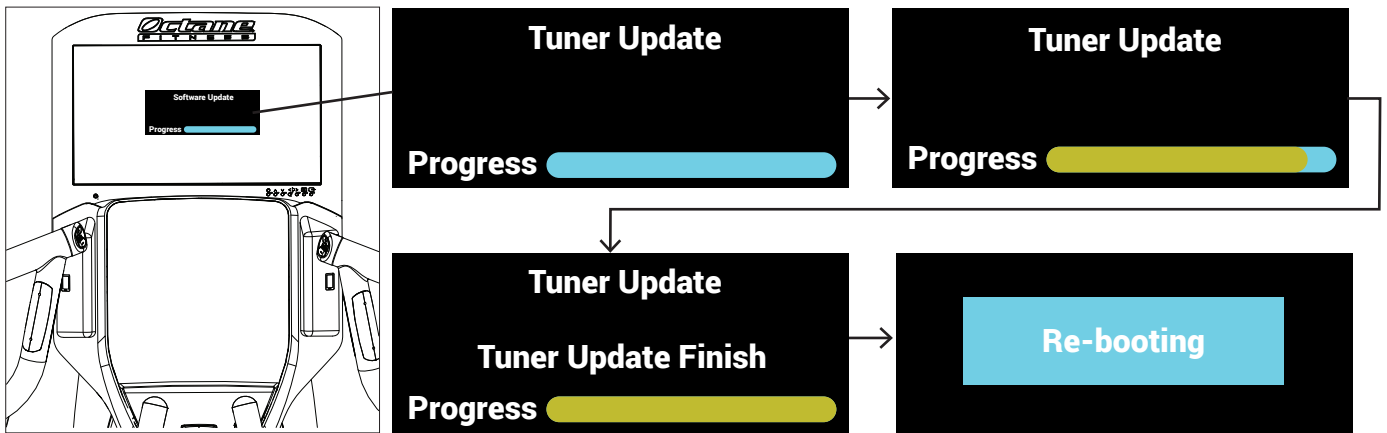
3. Press the power button on the PVS to turn the PVS off. Wait a few seconds and press the power button again to turn the PVS back on.

4. When the PVS reboots:
- Press the menu button to access **TV Setup**.
  - Press the down arrow to choose **Software Update**.
  - Press the right arrow to start the update.

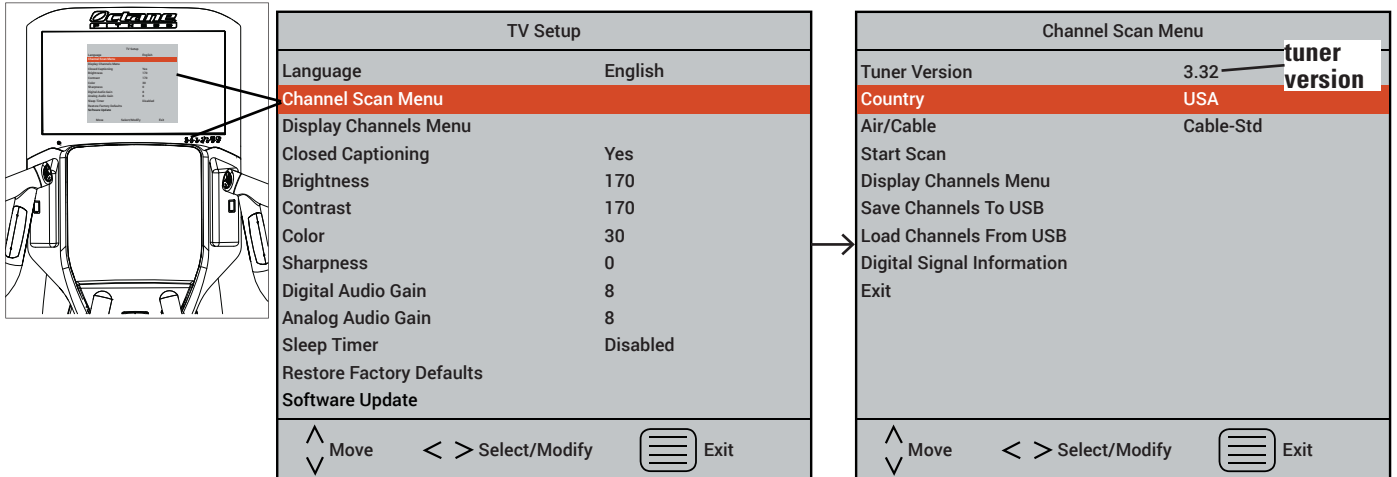


**STEPS FOR UPLOADING TO THE PVS CONTINUED**

5. Leave the USB connected until the tuner software update completes and the PVS reboots. **NOTE:** The update process will take less than 5 minutes to complete.



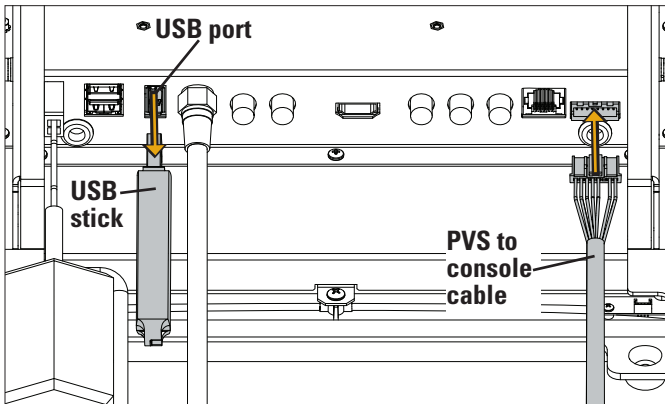
6. When the PVS reboots:
  - a. Press the menu button to access **TV Setup**.
  - b. Press the down arrow to select **Channel Scan Menu**.
  - c. Press the right arrow to open the **Channel Scan Menu** screen and verify the **Tuner Version**.
  - d. Press the menu button twice to exit.



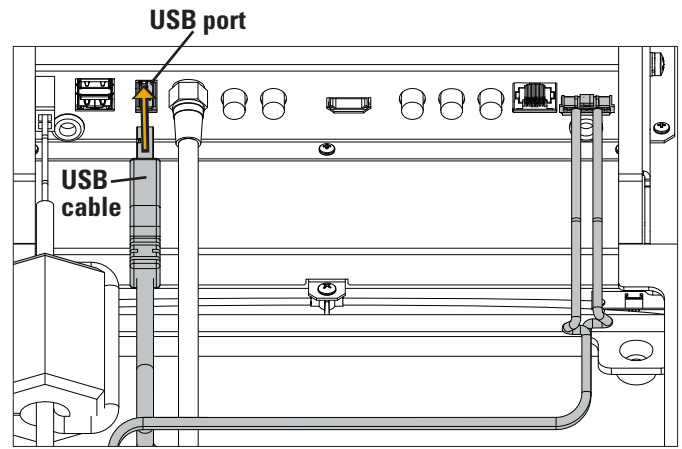
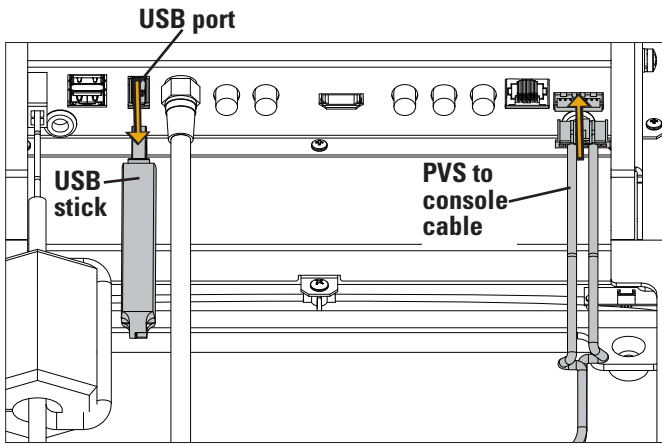
**NOTE:** If you followed the steps correctly and the tuner version did not increment, please contact customer service: 1-888-975-1376. For PVS serial numbers that end in -01 (M####ML####-01), the tuner version is 1.32. For PVS serial numbers that end in -02 (M####ML####-02), the tuner version is 3.32.

**STEPS FOR UPLOADING TO THE PVS CONTINUED**

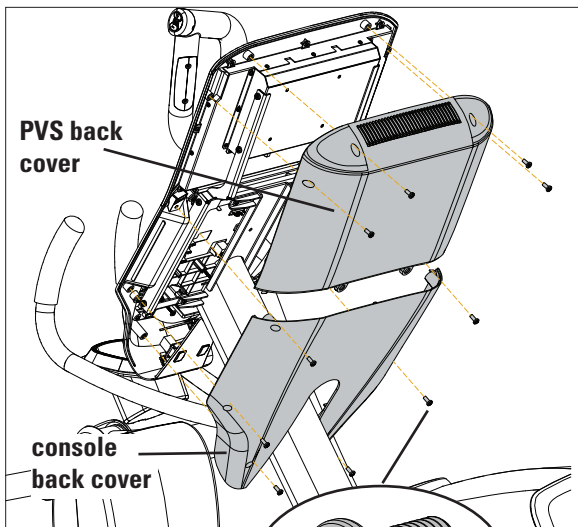
7. Remove the USB stick from the port on bottom of the PVS and reconnect the PVS to console cable.



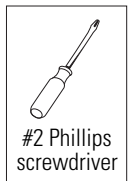
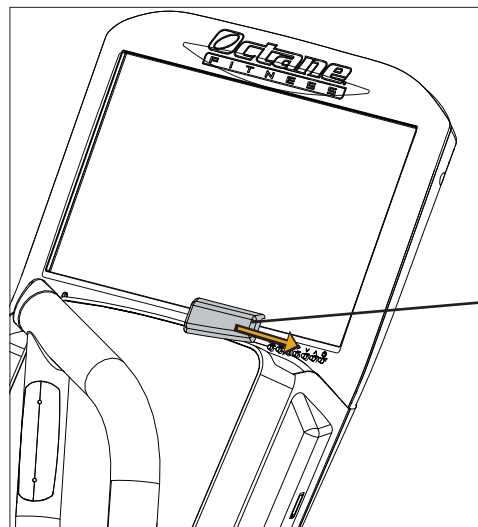
**NOTE:** If your PVS had a USB cable in the USB port, remove the USB stick and then reconnect the USB cable.



8. Reattach console back cover, PVS back cover, and if applicable, PVS button control cover.



**P/N 100780-001**  
SCREW, M5X0.8X12, PAN HEAD, TYPE 1  
CROSS RECESSED, STAINLESS STEEL  
**QTY 10**



**PVS button control cover**  
P/N 109681-001

**NOTE:** If you cannot reattach the PVS button control cover, please contact customer service: 1-888-975-1376 to have a new cover sent to you (P/N 109681-001).

## Questions? Contact Octane Fitness Global Support

### USA/CANADA

1-888-975-1376

[customerservice@octanefitness.com](mailto:customerservice@octanefitness.com)

Octane Fitness Headquarters  
7601 Northland Drive North, Suite 100  
Brooklyn Park, MN 55428

### EUROPE/MIDDLE EAST/AFRICA

31-10-2662412

[EMEAService@octanefitness.com](mailto:EMEAService@octanefitness.com)

Octane Fitness International Headquarters  
Rivium Westlaan 19  
2909 LD, Capelle a/d IJssel  
The Netherlands

### UNITED KINGDOM

0800 088 5540

[UKService@octanefitness.com](mailto:UKService@octanefitness.com)

Octane Fitness UK Ltd.  
Friary Court 1321  
High Street  
Guilford GU1 3DL  
United Kingdom

### LATIN AMERICA

001-763-757-2662

[LAService@octanefitness.com](mailto:LAService@octanefitness.com)

### ASIA PACIFIC

31-10-2662412

[APService@octanefitness.com](mailto:APService@octanefitness.com)