

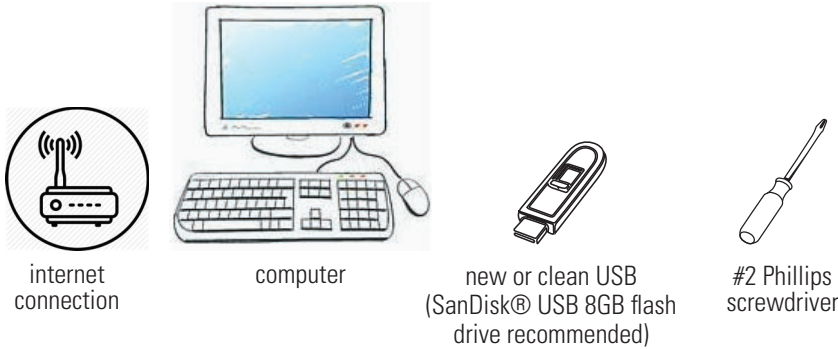
HOW TO UPDATE THE SOFTWARE ON THE PVS NA

These instructions are for downloading PVS software from octanefitness.com and loading that software onto the PVS for North America (P/N 110455-001).

To access the firmware files, go to:

www.octanefitness.com/commercial/octane-support/software-updates

ITEMS NEEDED



ABOUT THIS PROCEDURE

TIME TO COMPLETE:



~ 15 minutes

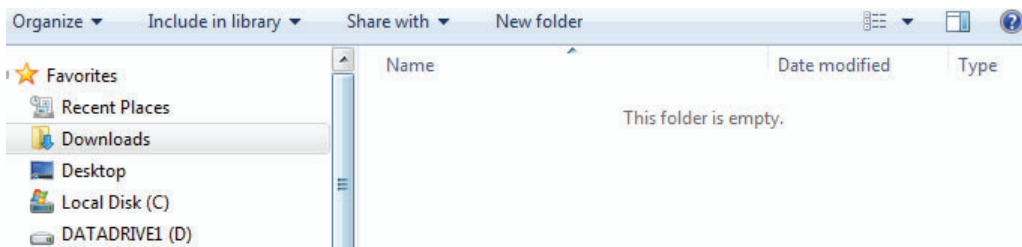
LEVEL OF DIFFICULTY:



STEPS FOR DOWNLOADING TO USB

1. Browse to the downloads folder on your computer and verify the folder is empty.

It's very important that your downloads folder is completely empty before you download any new software from octanefitness.com.



2. Insert a new or clean USB flash drive into the USB port on your computer.

It's very important that your USB flash drive is completely empty. If you are not using a new USB flash drive, we recommend formatting the USB flash drive to ensure all existing content is erased.

3. Locate the software for the PVS on the Octane Fitness Software Updates page:

www.octanefitness.com/commercial/octane-support/software-updates.

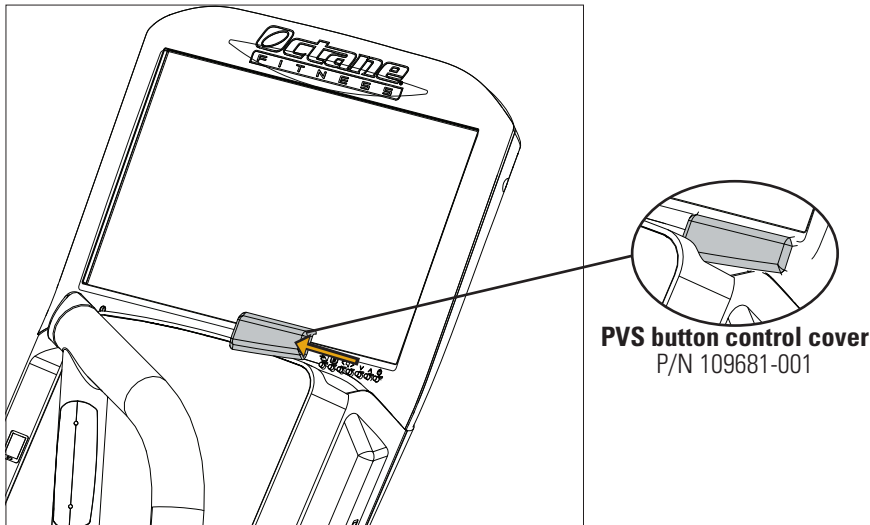
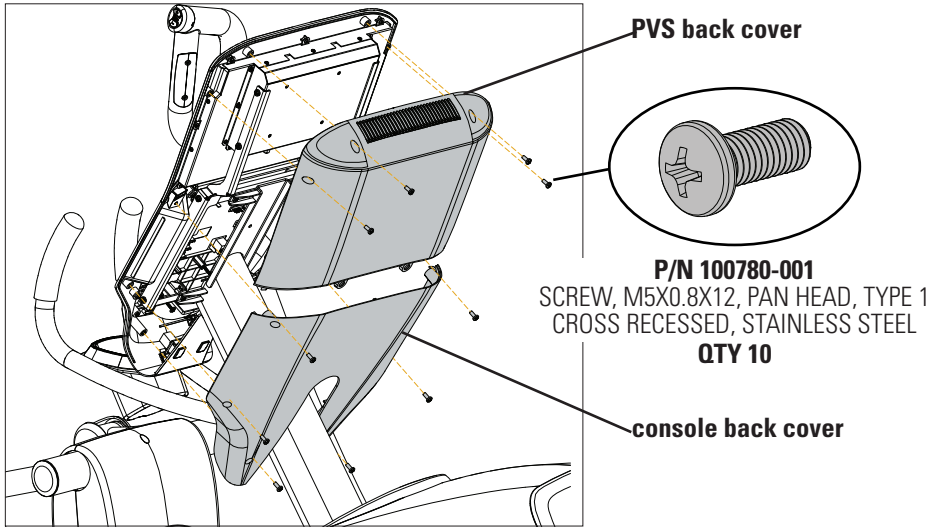
- a. Click the software link to download it your computer.
- b. When the software uc3 file is done downloading, browse to the downloads folder on your computer.
- c. Copy the **CBP2CT_G4_v1.16_ck_337491BE.uc3** file from your downloads folder to your USB flash drive.

It's very important that you

- **DO NOT modify or rename the file. The file on your USB must be named CBP2CT_G4_v1.16_ck_337491BE.uc3.**
 - **DO NOT create any sub folders for the file. The file must be in the root directory of the USB.**
 - **DO NOT download the PVS software and tuner software on the same USB. One software file per USB.**
 - **Update the PVS software before updating the tuner software.**
- d. When the file has been copied over, safely eject the USB flash drive and remove it from your computer.

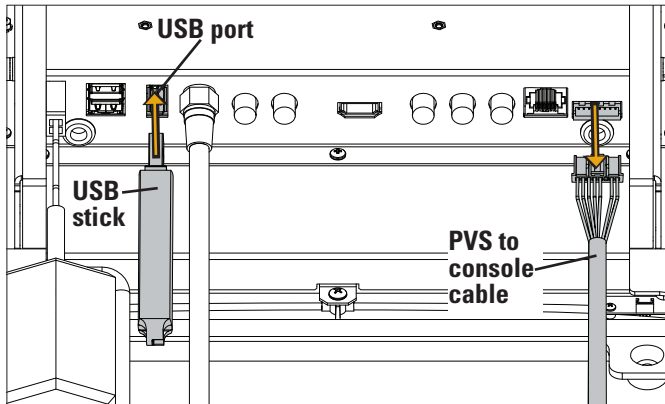
STEPS FOR UPLOADING TO THE PVS

1. Remove and set aside console back cover, PVS back cover, and if applicable, PVS button control cover.

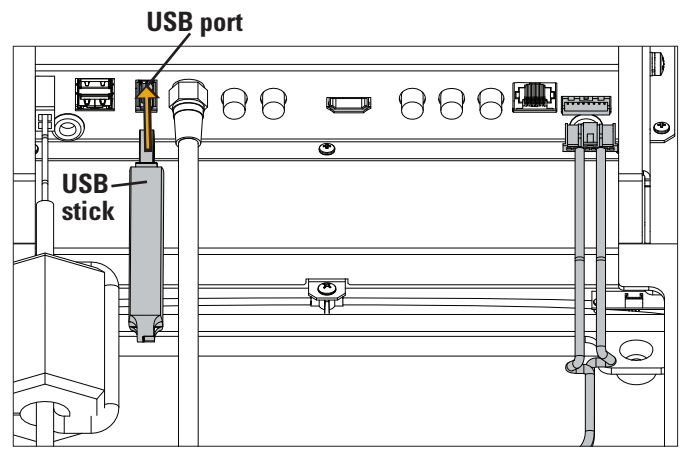
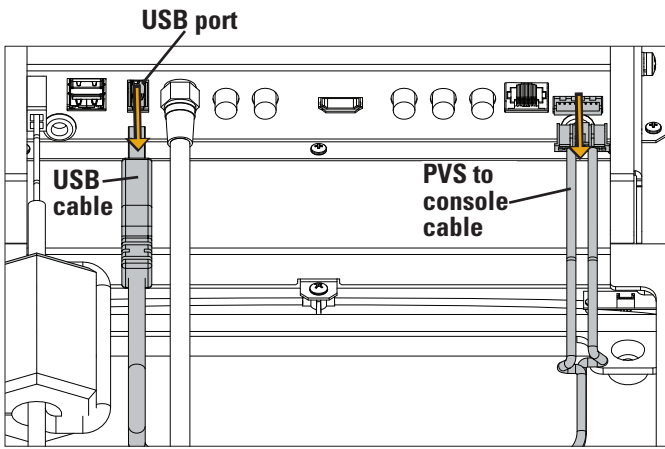


STEPS FOR UPLOADING TO THE PVS CONTINUED

2. Insert the USB stick into the port on bottom of the PVS and disconnect the PVS to console cable.

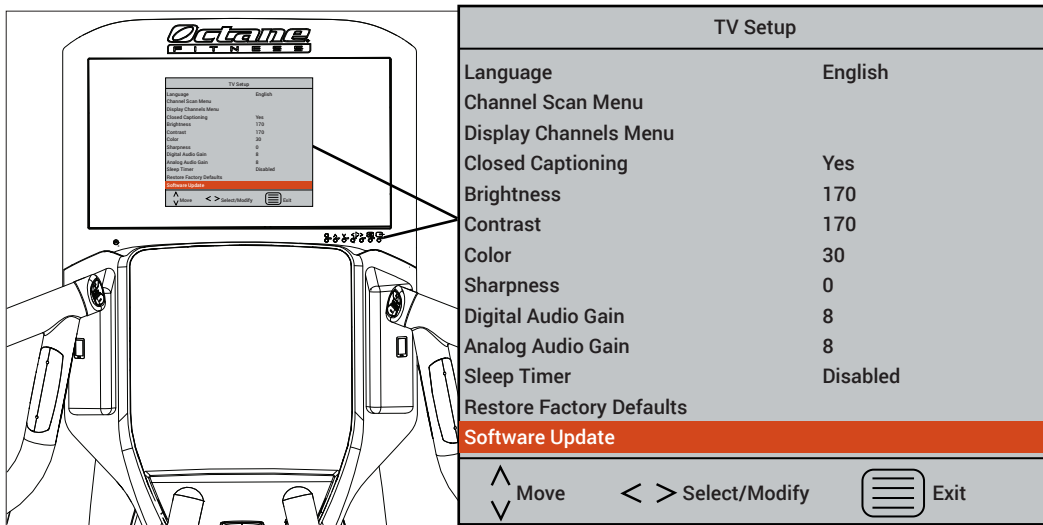


NOTE: If your PVS has a USB cable in the USB port, disconnect the USB cable and then insert the USB stick.



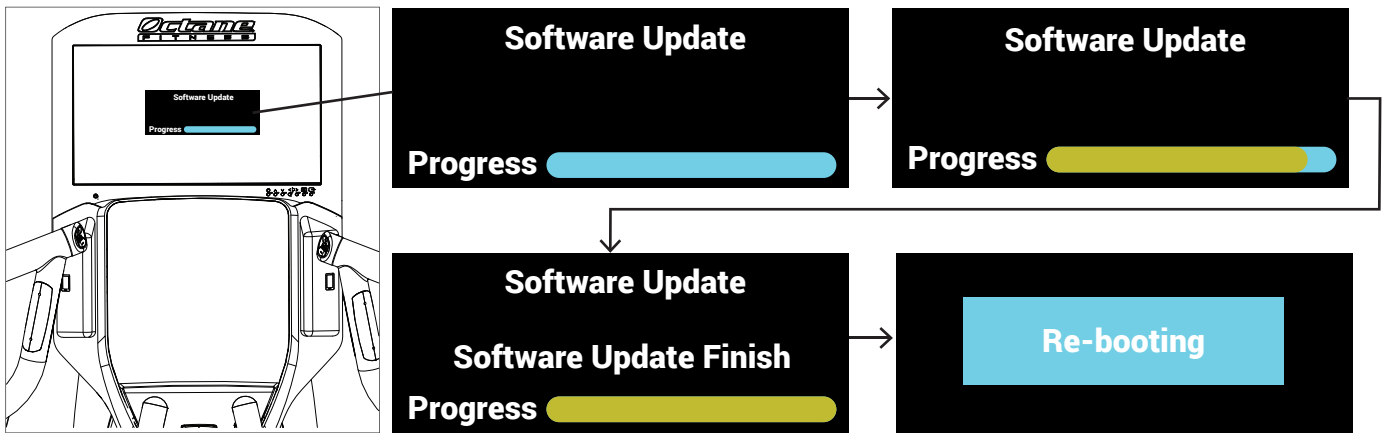
3. Press the power button on the PVS to turn the PVS off. Wait a few seconds and press the power button again to turn the PVS back on.

4. When the PVS reboots:
- Press the menu button to access **TV Setup**.
 - Press the down arrow to choose **Software Update**.
 - Press the right arrow to start the update.

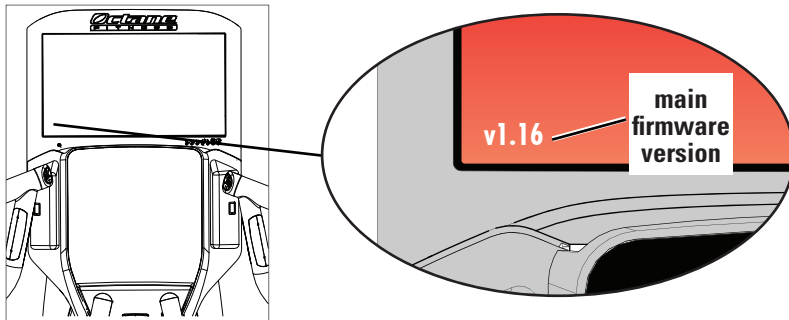


STEPS FOR UPLOADING TO THE PVS CONTINUED

5. Leave the USB connected until the software update completes and the PVS reboots. **NOTE:** The update process will take less than 5 minutes to complete.



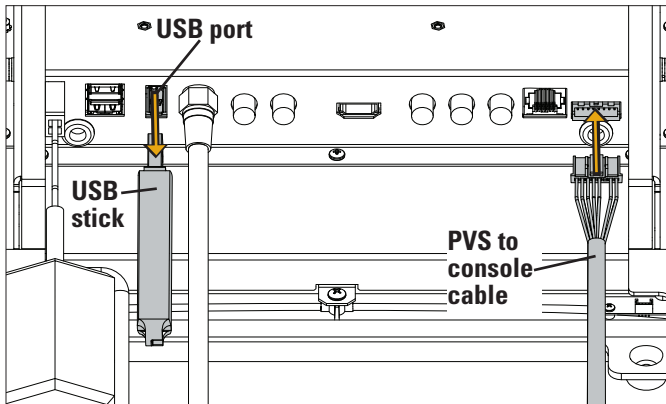
6. When the PVS reboots verify the new software version in the lower left hand corner.



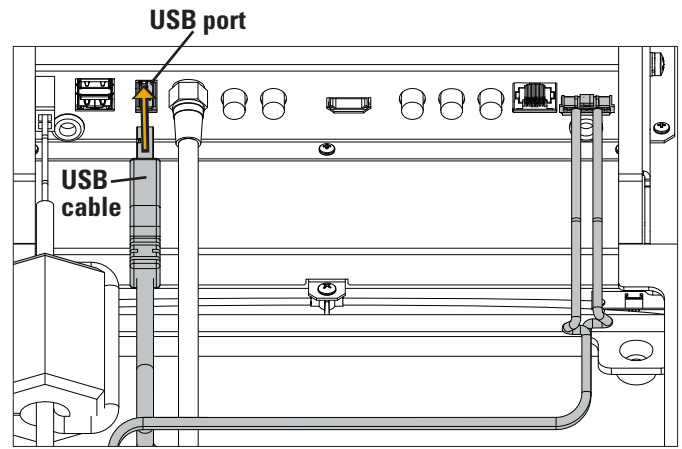
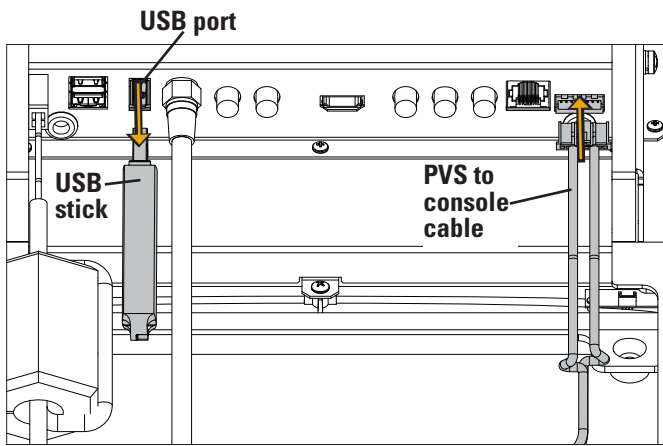
NOTE: If you followed the steps correctly and the software version did not increment, please contact customer service: 1-888-975-1376.

STEPS FOR UPLOADING TO THE PVS CONTINUED

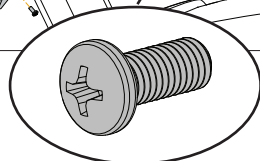
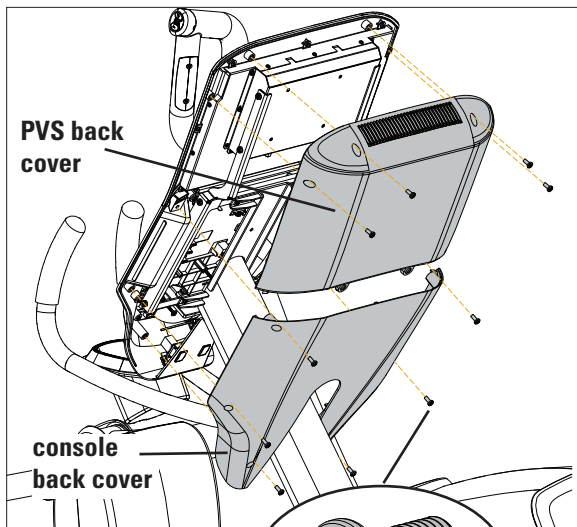
7. Remove the USB stick from the port on bottom of the PVS and reconnect the PVS to console cable.



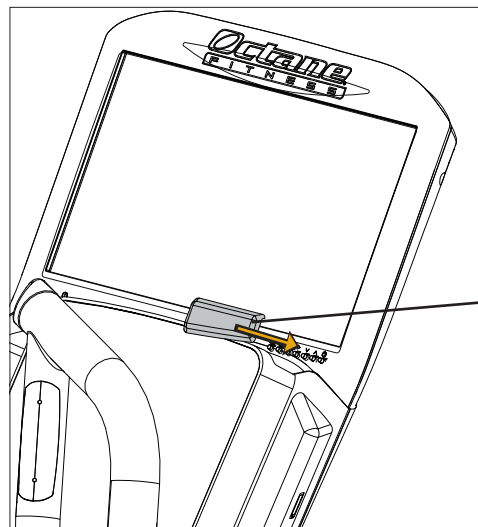
NOTE: If your PVS had a USB cable in the USB port, remove the USB stick and then reconnect the USB cable.



8. Reattach console back cover, PVS back cover, and if applicable, PVS button control cover.



P/N 100780-001
SCREW, M5X0.8X12, PAN HEAD, TYPE 1
CROSS RECESSED, STAINLESS STEEL
QTY 10



NOTE: If you cannot reattach the PVS button control cover, please contact customer service: 1-888-975-1376 to have a new cover sent to you (P/N 109681-001).

Questions? Contact Octane Fitness Global Support

USA/CANADA

1-888-975-1376

customerservice@octanefitness.com

Octane Fitness Headquarters
7601 Northland Drive North, Suite 100
Brooklyn Park, MN 55428

EUROPE/MIDDLE EAST/AFRICA

31-10-2662412

EMEAService@octanefitness.com

Octane Fitness International Headquarters
Rivium Westlaan 19
2909 LD, Capelle a/d IJssel
The Netherlands

UNITED KINGDOM

0800 088 5540

UKService@octanefitness.com

Octane Fitness UK Ltd.
Friary Court 1321
High Street
Guilford GU1 3DL
United Kingdom

LATIN AMERICA

001-763-757-2662

LAService@octanefitness.com

ASIA PACIFIC

31-10-2662412

APService@octanefitness.com